



IMPORTANT

1. Always include complete heater model and serial number so that any specification change can be considered for parts shipment. It can save time and expense.
2. Specifications are subject to change without notice.
3. We reserve the right to substitute functional replacements.
4. Order by Part No.; not Heater Option Designation.

Replacement Parts

Applies to: **Model CAUA and Cased Cooling Coil Model ACU**

Model CAUA Upflow Furnace/Blower Unit with Model ACU Cooling Coil and Optional Mixing Box



Index

B

- Bearings** 12, 13
- Belt 9, 10, 11
- Blower** 12
- Blower Mount Assy 12, 13
- Bottom Return Air Filter Cabinet 21
- Burner 16

C

- Cabinet Parts 14
- Capacitor 3, 4
- Venter Motor Capacitor 15
- Cooling Coil 22
- Coils 23
- Coils for Starter Overloads 8
- Concentric Adapter 15
- Condensate Drain Kit 17
- Remote Consoles 5
- Contactors 3, 4

D

- Damper Controls 19
- Damper Linkage 19
- Damper Rod 19
- Dampers 18
- Discharge Plenum 24
- Disconnect Switches 5
- Door Interlock Switch 3, 4
- Door Latch Kit 20

- Belt Drives 9
- Drive Table for TEFC motors 10, 11
- Ductstat 3, 4
- E**
- Electrical Components 3, 4
- Enthalpy Control 19
- Evaporator Coi 23

F

- Filter Cabinets 20
- Filter Rack 18
- Filters 18, 20, 21, 24
- Flame Rollout Switch** 3, 4
- Flame Sensor** 4

G

- Gas Conversion Kits 17

H

- Heat Exchanger 16, 17

I

- Ignition Board** 3, 4
- Ignition Cable 3, 4
- Inlet Base 24
- Isolator 14

L

- Red Light 5
- Limit Control** 3
- Line Reactors (VFD) 6

- Logic Module 19

M

- Mixed Air Controller 19
- Mixing Box 18
- Belt-Driven Blower Motor 8
- MOTOR** 7, 8
- Belt-Driven Blower Motor 7
- Blower Motor, Direct Drive** 3
- Damper Motor 19
- Motor Mounting Plate 12, 13

O

- Burner Orifices 17
- Outdoor Air Controller 19

P

- Paint 14
- Potentiometer 19
- Pressure Switch 3, 4
- Blower Pulley 9, 10, 11
- Motor Pulley 9, 10, 11

R

- Rating Plate 2
- Reducers 23
- Relay 3, 4

S

- Enthalpy Sensor 19
- Flame Sensor** 3
- Mixed Air Sensor 19

- Serial No. 2

- Blower Shaft** 12, 13
- Spark Electrode** 3, 4

- Starter 8
- STARTER 8
- Starter 7
- Starter OVERLOAD 7, 8
- Static Pressure Tap 17

T

- Terminal Strip 3, 4
- TEV Bulb Placement 23
- Thermostat Cover 5
- Thermostatic Expansion Valve 22
- Thermostatic Expansion Valves 23
- Thermostats 5
- Transformer 3, 4
- Tubing 3

V

- Variable Frequency Drive (VFD) 6
- Vent/Combustion Air Kits 15
- Vent Cap 15
- Venter Housing 15
- Venter Motor** 15

**CAUA Cabinet Parts
(white gloss finish)
and Venter Assembly**

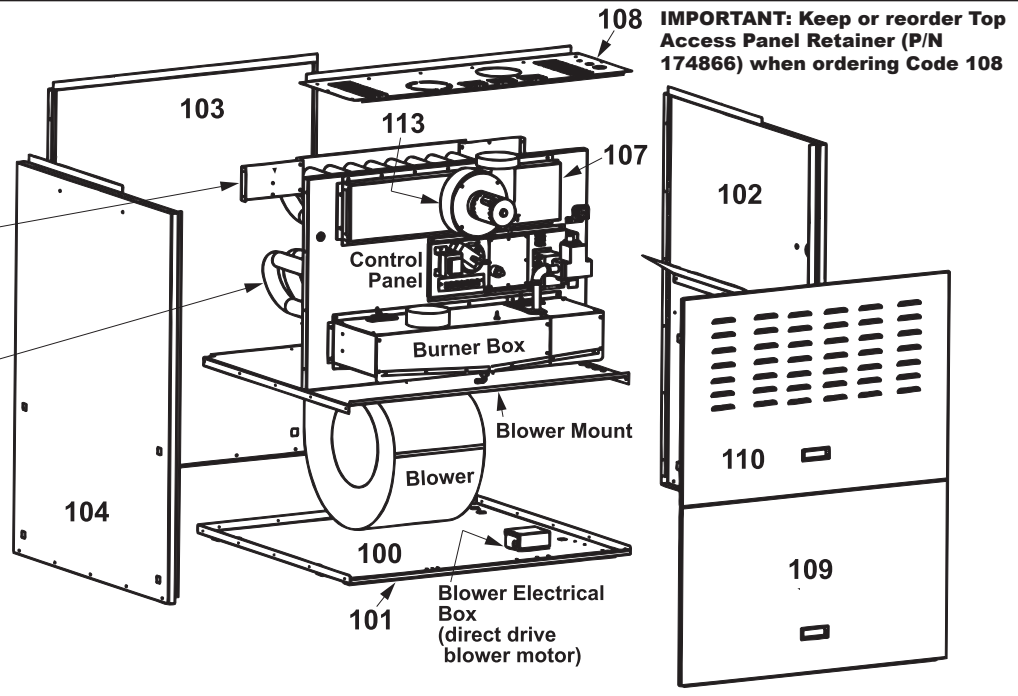
**161
Tube Clamp
Support**
(See page 17)

Heat
Exchanger
Assy

**CODE 111A - Vibration
Isolator Pad**



**CODE 111, Vibration
Isolator Kit, same as Option
PC4, includes 4 pads.**



**IMPORTANT: Keep or reorder Top
Access Panel Retainer (P/N
174866) when ordering Code 108**

Code	Description	Qty	150	200	250	300	350	400	
100	Bottom Panel	1	160133		160134		--	--	
	Bottom Panel - Front Half	1	--	--	--	--	170198		
	Bottom Panel - Rear Half (unit without inlet base)	1	--	--	--	--	170199	170199	
	Bottom Panel - Rear Half (unit with inlet base)	1	--	--	--	--	176361	176361	
100A	Insulation for Bottom Panel, CODE 100	1	177624		177627		177628		
101	Cabinet Supports (legs) - with direct drive motor	2	161155		161156				
		1	161155		161156				
	Cabinet Supports (legs) - with belt drive motor	1/3 - 1.5HP	1	195177-fmnt	195179-fmnt	195247-front			
		1	195178-rear	195180-rear	195248-rear				
	2-5HP	3	--	--	161156				
102	Left Side Panel Assy (includes panel, insulation, hole plug, and air deflector)	1	163183	163184	163451	163452	163453	164516	
102A	Left Side Panel only	1	160125				160126		
102B	5/8" Hole Plug, Heyco #DP625	1	111096						
102C	Air Deflector	1	164701	164700	164701	165017	164701	164700	
102D	Insulation in Left Side Panel Assy	1	177622 / 160896				177626 / 163173		
103	Rear Panel Assy (includes panel and insulation)	1	163170		163171		163172		
104	Right Side Panel Assy (includes panel, insulation, bushing, hole plug, and air deflector)	1	175274	175275	175276	175277	175278	175279	
104A	Right Side Panel only	1	160123				160124		
104B	Air Deflector	1	164701	164700	164701	165017	164701	164700	
104C	Insulation in Right Side Panel Assy	1 ea	177622 / 160896				177626 / 163173		
104D	1/2" Bushing	1	29871						
104E	5/8" Hole Plug, Heyco #DP625	1	111096						
105	Tube for Limit Control Capillary (not illustrated)	1	165030, 51" lg		165031, 55-1/2" lg		165032, 62-5/8" lg		
106	Limit Bracket (See limit control, CODE 28.)	1	141676						
107	Flue Wrapper Assy including gaskets	Aluminized	1	160186	160187	160188	160189	160190	160191
	Flue Wrapper Assy including gaskets and condensate drain connection	409SS (Opt AD4)	1	258960	258961	258962	258963	258964	258965
107A	Top/Bottom Gaskets for Code 107	Select match to Code 107 material	2	147651 for Aluminized Code 107; 258994 for 409SS Code 107					
107B	Side Gasket for Code 107	Select match to Code 107 material	2	161160 Alum;258995 SS		161161A;258996SS		161162A;258997SS	
107C	Hose Barb on Code 107 SS Flue Wrapper Assy		1	258998, Brass, 1/4" x 1/4" NPT male					
108	Top Panel (See Important Note in above illustration)		1	160130	160131	160194	160132		
109	Btm Access Door Assy (insulated door w/handle)		1	165046		165047			
110	Top Access Door Assy (door panel with handle)		1	165048		165049			
111	Vibration Isolator Kit (same as Option PC4)		1	166769				166770	
111A	Vibration Isolator (black isolator pad for under each corner), Kinetics Model RCB		4	166720 #120 (orange marking)				166721, #220 (green marking)	
112	Cabinet Touchup Paint		1	201805, 11 oz spray can, white					